

DIGITAL MICRO OHM METER DAC-MRG-2

DAC-MRG-2 is a low resistance measuring instrument introducing Voltage-Drop method with resolution Max 0.1 $\mu\Omega$.

Providing internal 3 steps Filter function and Max test current 10A, DAC-MRG-2 can measure Coil resistance of Large-sized electrical instruments; conductor resistance of Power cables etc., with high stability even there is superimposed noise on the specimens.

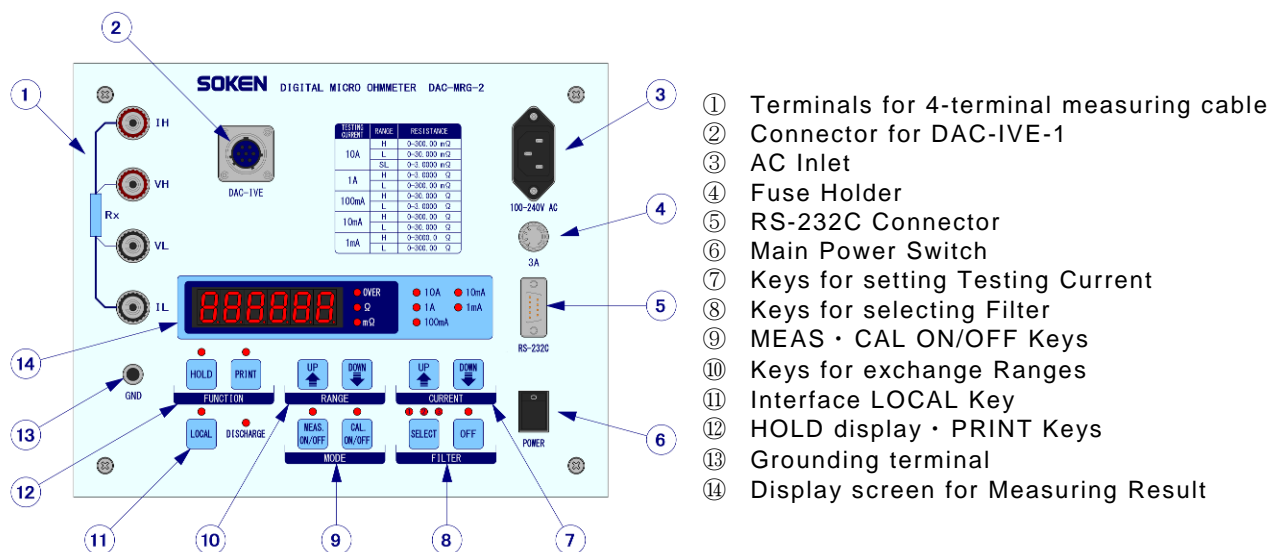
Applications

Coil Resistance of Motors, Transformers
 Conductor Resistance of Power Cables, Electric Wires
 Contact Resistance of Switches, Circuit Breakers
 Resistance of Fuses, Welded parts



Features

- Measuring Current 10A / Minimum resolution 0.1 $\mu\Omega$
- Internal 3 steps filter circuit allows to the stable field test.
- High accuracy measurement with the 4-terminal measuring method.
- To remove the test samples safely, test discharging monitor circuit is provided so that the charging energy is discharged.
- Operation from topside panel, suitable for On-Site test



Model DAC-MRG-2/DAC-MR-2U

DIGITAL MICRO OHM METER

Specifications

Measuring Current	Measuring Range	Minim Resolution	Measuring Mode
10A	0 - 3.0000mΩ	0.1μΩ	SL
	0 - 30.000mΩ	1μΩ	L
	0 - 300.00mΩ	10μΩ	H
1A	0 - 300.00mΩ	10μΩ	L
	0 - 3.0000Ω	100μΩ	H
100mA	0 - 3.0000Ω	100μΩ	L
	0 - 30.000Ω	1mΩ	H
10mA	0 - 30.000Ω	1mΩ	L
	0 - 300.00Ω	10mΩ	H
1mA	0 - 300.00Ω	10mΩ	L
	0 - 3000.0Ω	100mΩ	H

- Display : Digital Display 5 digits Max. 31999
- Accuracy : ±(0.2% Rdg+1digit) ※2000digits or more
- AC Mains : AC85-132V/AC170-264V, 50/60Hz
- Electric Power Consumption: Approx. 150W (on measuring 10A)
- Size/Weight : W305×H245×D250mm/Approx. 7.3kg(without projections)
- Interface : RS-232C
- Option : Thermal Printer Kit, Optional length cables

Option Accessories

■ Induced Voltage Eliminator [Model DAC-IVE-1](#)

DAC-IVE-1 is an option Eliminator for DAC-MRG-2 to eliminate induced voltage of test specimens with a built-in filter. Portable in an aluminum trunk case

Usable Range:

Current Range of DAC-MRG-2	Inductive Voltage Range
10A	50V or less
1A	100V or less



Size & weight: W330xH205xD270mm, Approx.15kg

Product Line-Up

Model DAC-MR-2U

DAC-MR-2U is a desk top type Digital Micro Ohm Meter having the same performance with DAC-MRG-2.

Size & weight: W370xH132xD370, Approx. 6.3kg



Desk Top Type: DAC-MR-2U

2015/05/01